

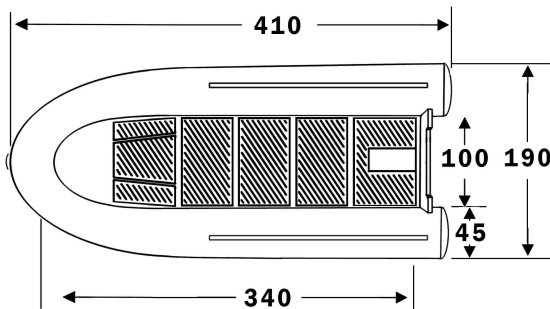


WIKING

Schlauchbootwerft GmbH

state: February 2005

Mercur 410 offshore



boat type	glider, 45° V-keel, FRP single hull boat
capacity	613 kg / 5 adults
max engine capacity	CE: 44 KW (60 Hp)
outboarder	long shaft
overall length	4,10 m
overall beam	1,90 m
usable inside length	3,40 m
weight without accessories	122,5 kg
tube diameter	0,45 m
storage measure (folded tube)	390x140x58 cm
material rump	FRP (fibreglass reinforced plastic)
material tube	Kosa/Hypalon/Neoprene
serial equipment	extra large protection profile, 5 carry handles, 5 safety grabs or lacing line, stainless steel ring for towing and anchor, self draining valve, 2 sets of paddle holder, steering cable holder
type approval design category CE	C - coastal water

price

Euro

boat with serial equipment	5.730,00
----------------------------	----------

accessories

navigation-lightning bow, including lights BSH, cables, completely installed	1.700,00
lightning bow only (without lights & cables)	1.200,00
fittings for lightning bow (installed)	190,00
steering consol (standard offshore-version)	1000,00
strengthened steering system, engines over 44kW (60 Hp) (extra charge)	150,00
steering traverse in VA (extra charge)	90,00
sport wheel padded (extra charge)	52,00
basic equipment: 2 paddles, piston pump, manometer	150,00
lifting mount for auxiliary engine*	190,00
bracket (2.stern mirror) for short-shaft*	450,00
inflatable seat bench (ca. 85 cm) with staff holder	290,00
inflatable seat bench on locker fitting (ca. 85 cm) with staff holder	270,00
bench padded with locker	630,00
fitting locker under inflatable seatbench	290,00
bow seat bench continuous padded on locker	630,00
bow seat bench divided padded on locker	800,00
luggage rack with shelf for map *	95,00
basic plate for gear	50,00
basic plate for gear by VA	125,00
battery- and tankholder	90,00
jack stuff including WIKING-pennant	16,00
hood assembled (complete) (only by splash guard)	1.300,00
lounge fittings (installed)	55,00
cover for cockpit (only by splash guard)	530,00
cover for front-deck including installed fittings (only by splash guard)	270,00
poop stuff (700 mm) including national flag + fittings *	50,00
swimming ladder assembled (complete)	270,00
swimming ladder without fittings	190,00
fittings for swimming ladder installed	90,00
mounting for water-skiing (installed fittings including)	210,00
towing ring for water-skiing with snap-link (1set)	45,00
walkable front deck with zipper	770,00
strengthening bow for windscreen VA (2 peaces)	180,00
windscreen with middle-way	190,00
walkable frontdeck-installation afterwards	890,00

* =without installation