

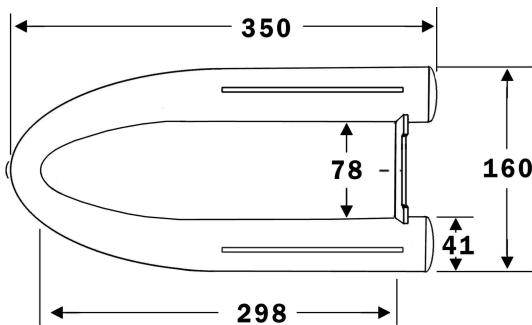


WIKING

Schlauchbootwerft GmbH

state: February 2005

KOMET 350 offshore



boat type	glider, V-keel, dismantable single hull boat
capacity	570 kg / 4 adults
max engine capacity	CE: 22,4 kW (30 Hp)
outboarder	short shaft
overall length	3,80 m
overall beam	1,60 m
usable inside length	2,98 m
weight without accessories	80 kg
tube diameter	0,41 m
storage measure tube	60x48x30 cm
storage measure bottom plates	104x55x26 cm
material rump	special yard wood
material tube	Kosa/Synotex
serial equipment	extra large protection profile, 4 carry handles, 4 safety grabs or lacing line, stainless steel ring for towing and anchor, thread bolt for waterskiing, luggage rack holder, foot valve, paddle holder, tank holder, steering cable holder
type approval design category CE	C - coastal water

price Euro

boat with serial equipment	2.765,00
----------------------------	----------

accessories

basic equipment: 2 paddles, piston pump, manometer	150,00
stowage bag for tube	70,00
stowage bag for bottom plates (2 peaces)	70,00
adrian bottom boards for bow	75,00
unslipable adrian bottom boards for stern (2 peaces)	135,00
spider frame for rough water	460,00
bulkhead for bow (red) *	155,00
wheel-steering with panel, wheel, steering-cables	490,00
steering traverse in VA for wheel-steering (extra charge)	85,00
sport wheel padded (extra charge)	52,00
basic plate for gear	50,00
basic plate for gear by VA	125,00
fitting locker under inflatable seatbench	260,00
inflatable seat bench (ca. 75 cm) with staff holder	255,00
inflatable seat bench on locker fitting (ca. 75cm) with staff holder	255,00
rowing seat	60,00
oar holder (1 pair)	95,00
pair of oar (devidable)	85,00
luggage rack with shelf for map *	60,00
all over cover for offshore	335,00
poop stuff (1100 mm) including national flag + fittings *	50,00
towing ring for water-skiing with snap-link (1set)	22,00
walkable front deck including luggage rack holder	425,00
devidable windscreen	130,00
bag for windscreen	50,00
walkable frontdeck-installation afterwards	545,00

* =without installation